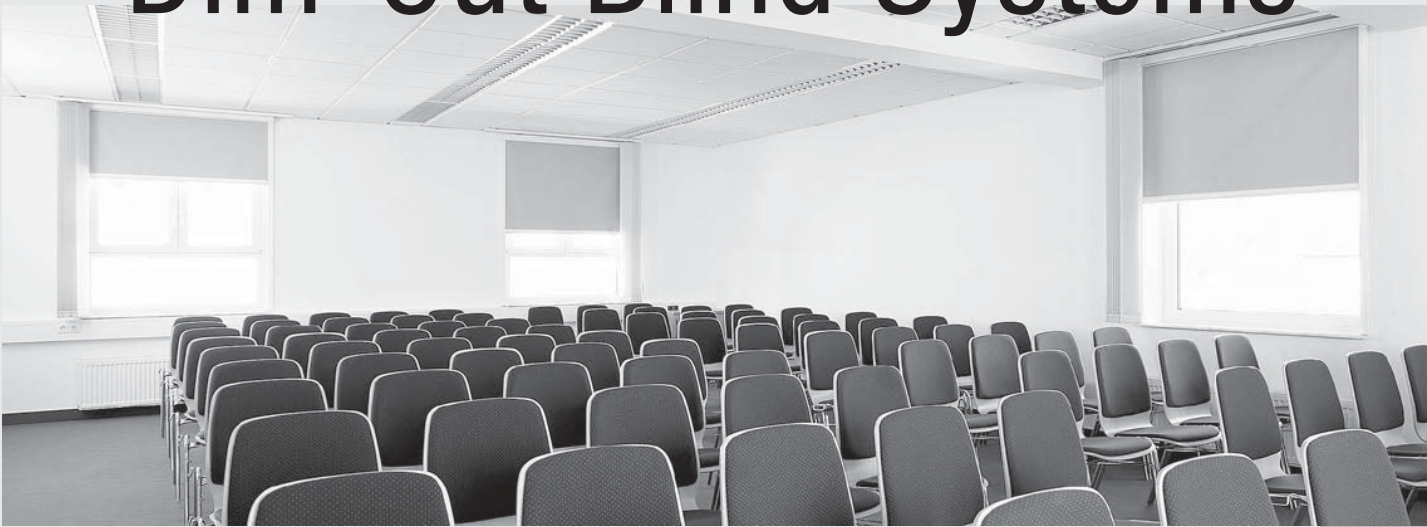
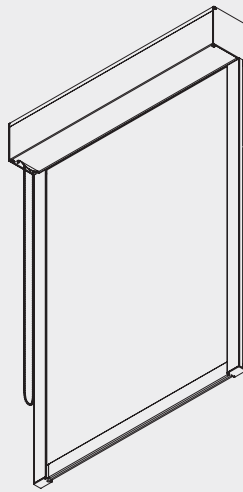


Dim-Out Blind Systems



Chain Operated Dim-Out Blind System

Silent Gliss® 4740 Large



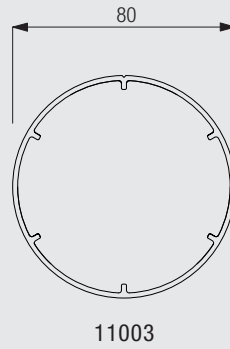
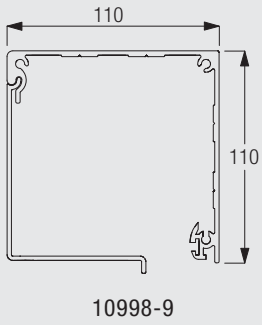
Product Information

- Technically advanced chain-operated dim-out blind system.
- Up to 3m wide, 3m high or 9m² with a maximum weight of 6kg.
- Easy click-in side profiles.
- Inside or outside recess fitting.
- Supplied powder coated black or white.
- Fabrics are 'zipped' into the side profiles.
- Delivered ready-assembled made-to-measure.
- Suitable for inclined positions up to 15° from vertical.
- Spring assisted when required (larger sizes).



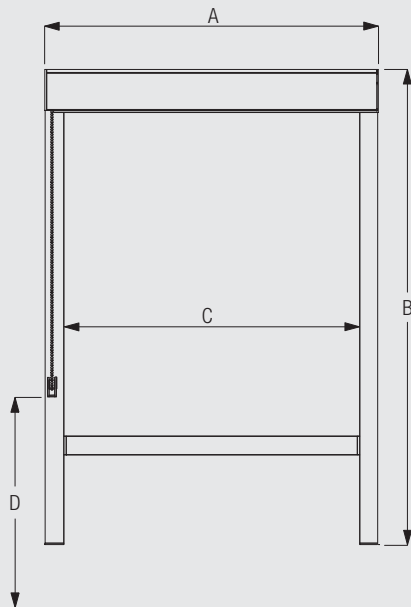
4740

Profile and Bending Information



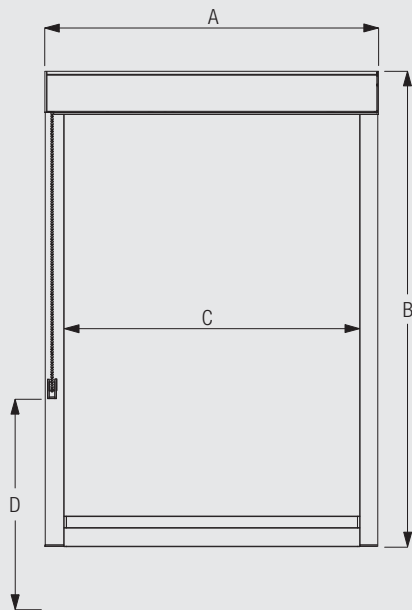
How To Measure

Inside fitting



- A: System width
- B: System drop
- C: Fabric width
- D: Safety Retainer 10400 min. 150cm above the floor

Face fitting



- A: System width
- B: System drop
- C: Fabric width
- D: Safety Retainer 10400 min. 150 cm above floor

System Dimensions



3m



65cm



3m



9m²



6kg

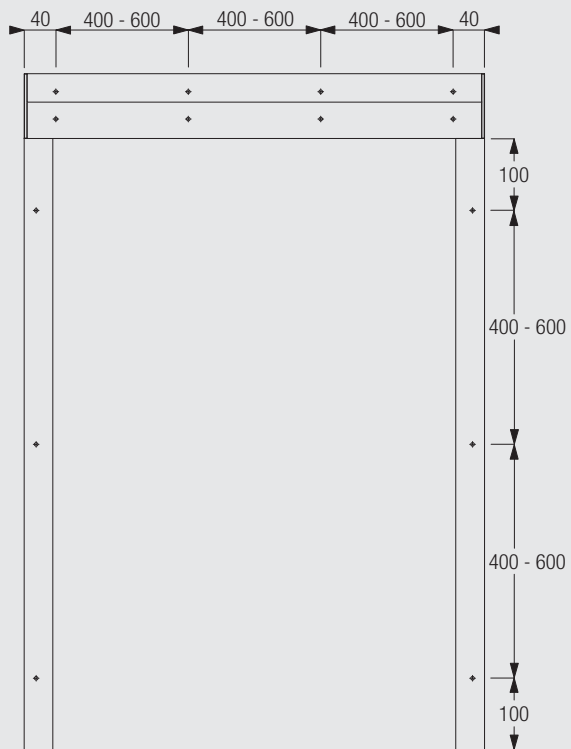
Please note: The max. system width/drop also depends on the fabric type.



4740

Fitting Information

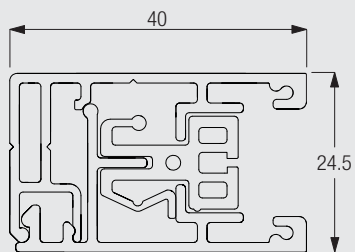
Positioning of drill holes



Side profiles 11001 and 11002



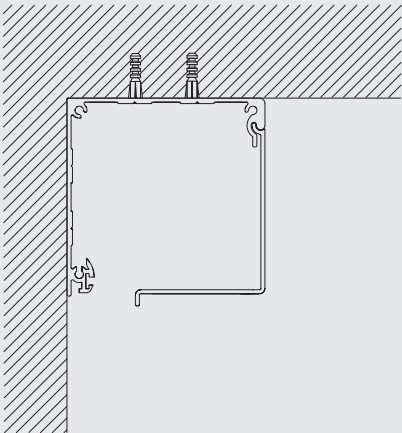
4740



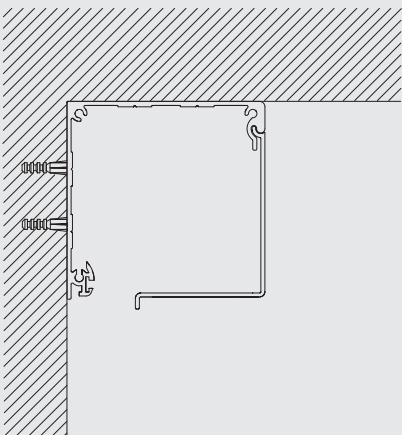
Drawing includes zip profile.

Fitting Options

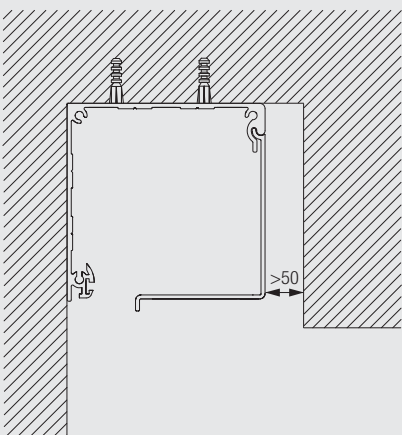
Ceiling fitting with direct mounting



Wall fitting with direct mounting



Recess fitting with direct mounting



4740

Standard Accessories

10400 Safety Cord Retainer



10668 Strip (10mm)



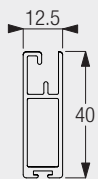
10961	Zip profile		10993	Bottom weight	
11001	Side guide case		11002	Side guide cover	
11003	Profile tube, 80 mm		11008	Side cover left for box, 110 mm	
11009	Side cover right for box, 110 mm		11011	Clip for support	
11012	Clip for chain drive		11020	Tube adapter support 80 mm	
11021	Tube adapter chain drive 80 mm		11024	Zip guide	
11025	Zip		11026	Cover left for side guide	
11027	Cover right for side guide		11028	Bottom weight guide left	
11029	Bottom weight guide right		11030	Bottom weight cover	
11033	Chain drive (L)		11040	Stainless steel bead chain (ø 4.5 mm)	
11040	Stainless steel bead chain (ø 4.5 mm)		11052	Spring set left wound 80 mm	
11053	Spring set right wound 80 mm		10998-9	Box case and cover, 110 mm	



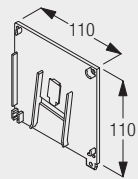
4740

Useful Measures

10993 Bottom weight



11008 Side cover left for box, 110 mm



Application Chart

Operation	Dimensions					Profile / Cassette			Features / Options			Fitting Options			Fitting Surfaces			System
	min.	max.	max.	m ² max.	kg max.	Cassette Size (mm)	Profile Number	Profile Diameter (ø mm)	Remote Control System Silent Gliss 9940	Silent Gliss Move applicable	Safety Retainer Set	Ceiling Fitting	Wall Fitting	Recess Fitting	Wood	Concrete	Suspended Ceiling	
	cm	1.6 m	1.6 m	2.5 m ²	2 kg	73	10532	ø41				●	●	●	●	●	●	4710
	cm	2.2 m	2.4 m	5.3 m ²	3.7 kg	90	11037	ø60				●	●	●	●	●	●	4730
	cm	3 m	3 m	9 m ²	6 kg	110	11003	ø80				●	●	●	●	●	●	4740
 230V / 120V	cm	1.6 m	1.6 m	2.5 m ²	2 kg	73	10532	ø41	●	●		●	●	●	●	●	●	4760
 230V / 120V	cm	2.2 m	2.4 m	5.3 m ²	3.7 kg	90	11037	ø60	●	●		●	●	●	●	●	●	4770
 230V / 120V	cm	3 m	3 m	9 m ²	6 kg	110	11003	ø80	●	●		●	●	●	●	●	●	4780



www.SilentGlissAmerica.com

Silent Gliss Inc
United States Distribution
755 East 134th street
3rd Floor.
Bronx, NY 10454

Correspondence:
P.O. Box 592
New York, Ny 10150

Please call or email
with any questions or for technical catalogs:
info@SilentGlissAmerica.com
Tel: 718-412-9040