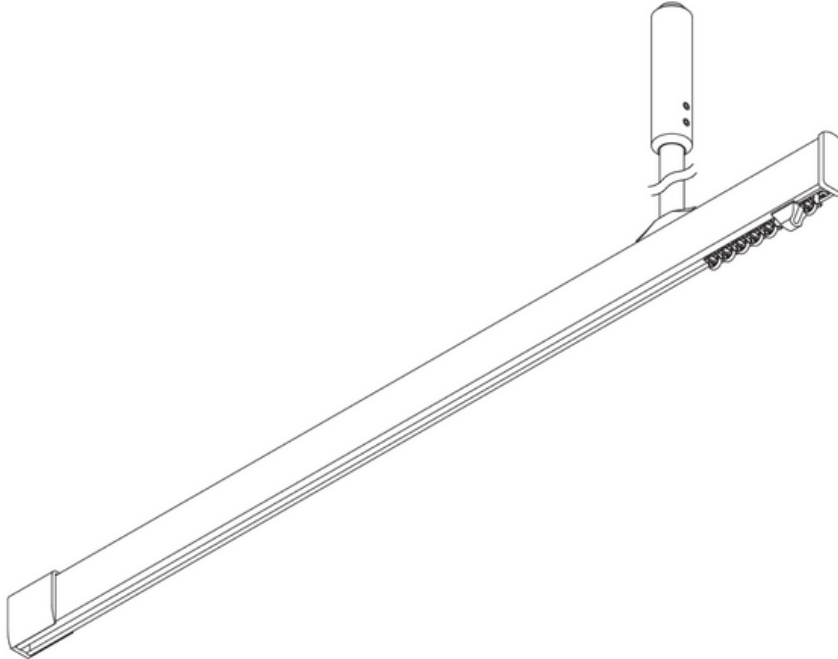
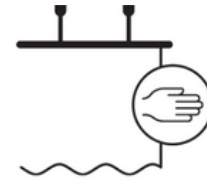


SG 6100



PRODUCT INFORMATION

- **Operation:** hand
- **Range:** S - L
- **Fitting:** suspended, ceiling, wall
- **Colours:** white RAL 9016 or anodised aluminum, special colours possible
- **Fabrics:** refer to Silent Gliss fabric collection

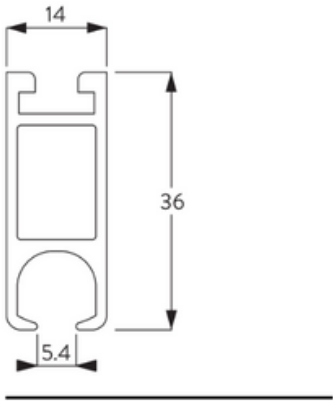
Features:

- Universal room divider
- 2-component (2C) glider technology
- Wave (2C)
- Suspended
- Versatile layouts
- Bendable
- White paint incorporates anti-microbial coating as standard

SYSTEM SPECIFICATIONS


A. PROFILE

Profile and bending information

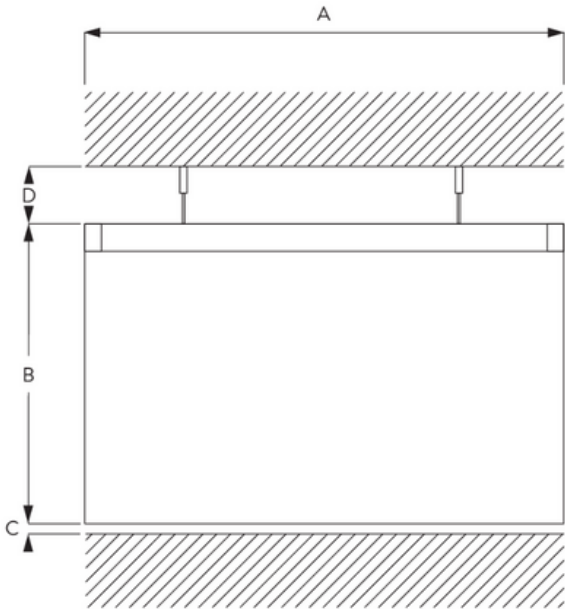


SG 6101

Profile

 Radius:
20 cm, >25 cm

B. HOW TO MEASURE



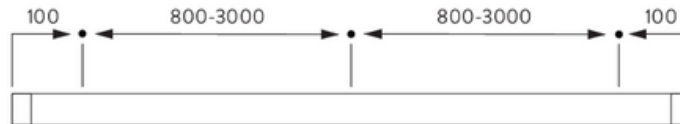
A: System width
B: System height
C: Distance between floor and fabric
D: Distance between ceiling and system

FITTING

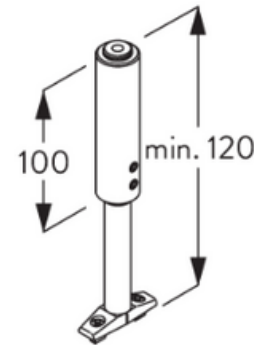
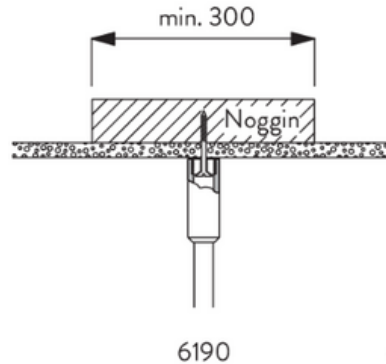
A. FITTING INFORMATION

For detailed fitting information, visit the Silent Gliss website.

Fixing points



Site preparation for suspended ceiling applications



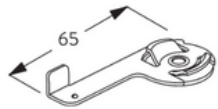
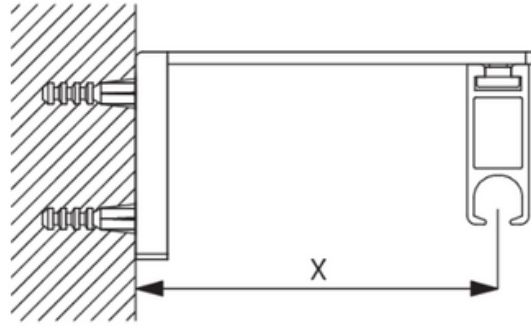
- Fixings should support the ends of the profile and any changes in direction.
- Maximum span between fixings is 3000 mm.
- When fitting to suspended ceilings site preparation is critical.
- At each hanger position a noggin in approved material is required above the suspended ceiling; underside to rest on top of ceiling (but independently supported) with a minimum length of 300 mm at right angles to the track in which the hanger occurs to give fixing tolerance.
- Ideally the hangers should be on the return track, if on the front track then adequate support should be provided.
- A detailed information sheet is available on request.

SG 6190

Hanger

C. WALL FITTING

Smart Fix



SG 10926

Clamp



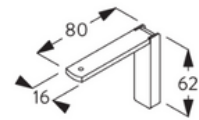
SG 11127

Countersunk head screw
M4x10



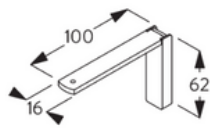
SG 11158

Countersunk head screw
M4x12



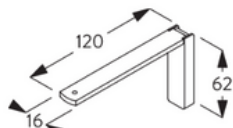
SG 11201

Smart Fix 80 mm



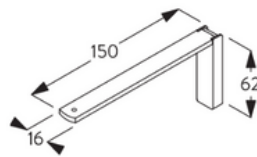
SG 11202

Smart Fix 100 mm



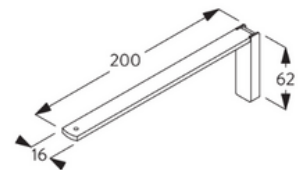
SG 11203

Smart Fix 120 mm



SG 11204

Smart Fix 150 mm

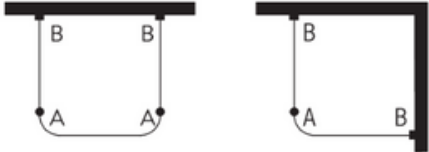


SG 11205

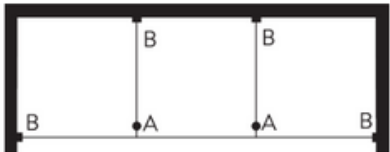
Smart Fix 200 mm

SYSTEM OPTIONS

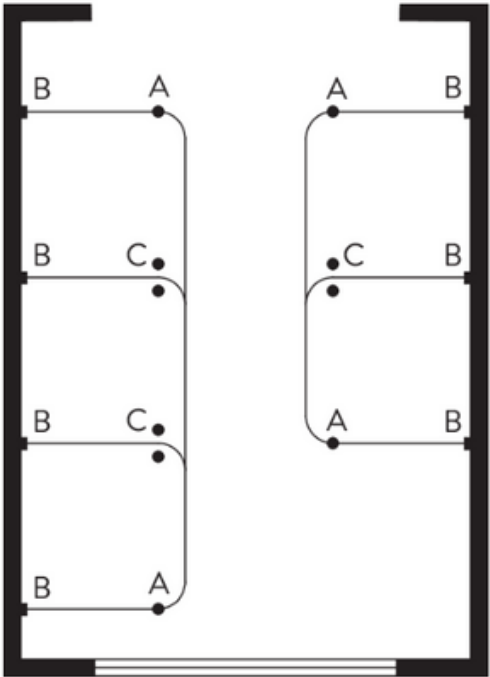
A. LAYOUT OPTIONS



A: Hanger rod
B: Wall support



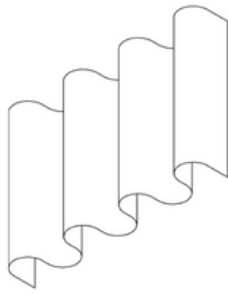
A: Hanger rod
B: Wall support



A: Hanger rod
B: Wall support
C: Add Brace

SYSTEM OPTIONS

A. WAVE



SG 6365



SG 10854



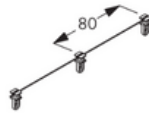
SG 10856



SG 10867



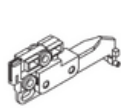
SG 10887



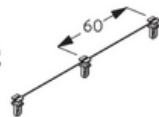
SG 10905



SG 10924



SG 10845



SG 10906

Standard components:

- SG 6365 Wave hanger
- SG 10854 Wave overlap arm support
- SG 10856 Wave end stop, belt return
- SG 10867 Panhead screw
- SG 10887 Wave overlap arm set
- SG 10905 Wave glider cord 80 mm
- SG 10924 Wave glider support

Optional components:

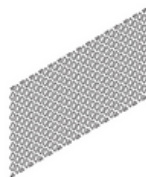
- SG 10845 Wave master carrier single stack 80 mm
- SG 10906 Wave glider cord 60 mm (no single stack)



SG 3582



SG 6349



SG 6363



SG 10075

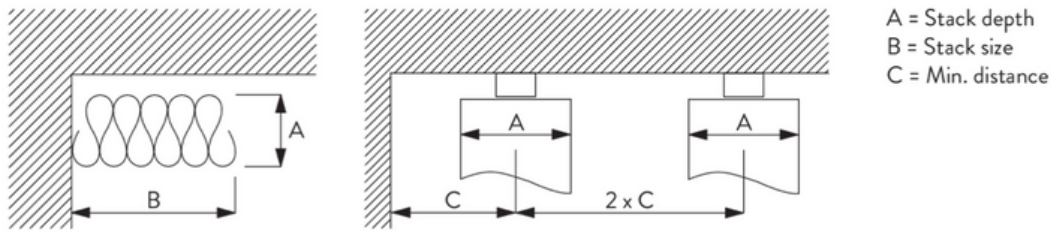


SG 10076

Curtain components:

- SG 3582 Hook
- SG 6349 Wave curtain tape
- SG 6363 Wave top hemming tape
- SG 10075 Lead weight 50 gr/m
- SG 10076 Fabric weight

Wave stack depth - glider cord (standard components)



Glider cord SG 10905	Pockets between hooks	Approx. curtain fullness	Stack depth A	Stack size B*	Min distance C
80	6	~2.1	140	180 per metre of track	90
80	7	~2.3	160	180 per metre of track	100

Glider cord SG 10906	Pockets between hooks	Approx. curtain fullness	Stack depth A	Stack size B*	Min distance C
60	4	~2.1	100	230 per metre of track	70
60	5	~2.3	120	230 per metre of track	80

***Stack size B plus 180 mm for each curtain stack!**

Silent Gliss Inc
PO Box 592
New York NY 10150

Info@silentglissamerica.com
www.silentglissamerica.com