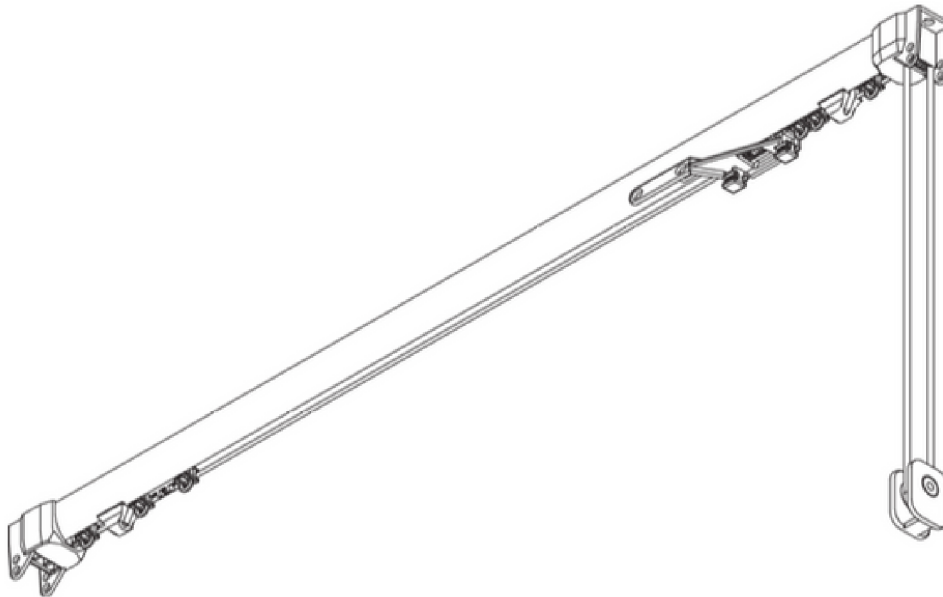
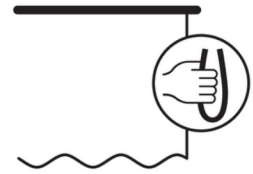


SG 3840



PRODUCT INFORMATION

- **Operation:** cord
- **Range:** M - L
- **Fitting:** ceiling, wall
- **Colours:** white RAL 9016, black RAL 9005 or anodised aluminum, special colours possible
- **Fabrics:** refer to Silent Gliss fabric collection

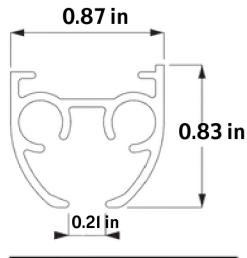
Features:

- 2-component (2C) glider technology
- Wave (2C)
- Bendable

SYSTEM SPECIFICATIONS

PROFILE

A. Profile and bending information

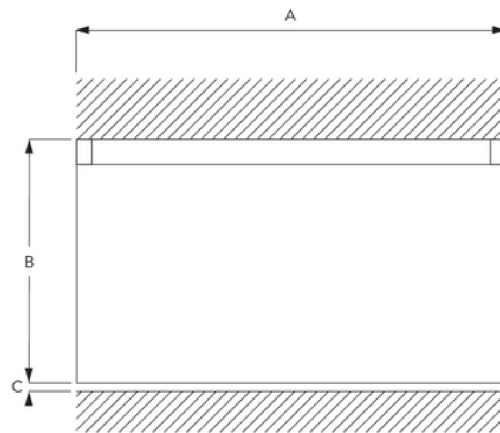


SG 3841

Profile

Radius:
8 in, >12 in

B. HOW TO MEASURE



A: System width

B: System height

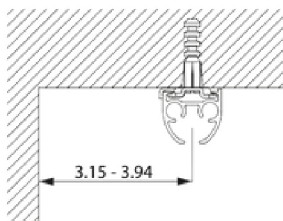
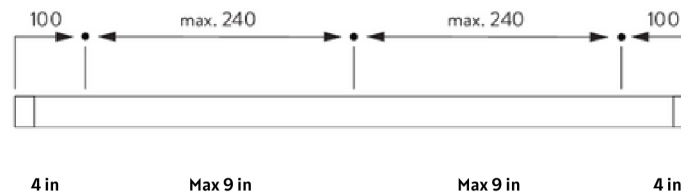
C: Distance between floor and fabric

FITTING

A. FITTING INFORMATION

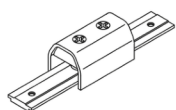
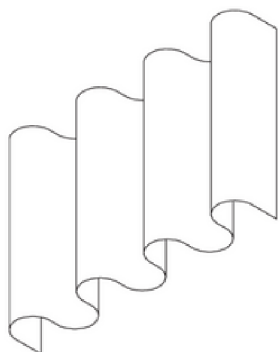
For detailed fitting information, visit the [Silent Gliss website](#).

Fixing points

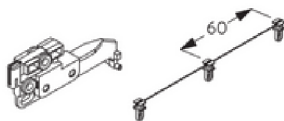


SYSTEM OPTIONS

A. WAVE



3833 Intermediate pulley guide



SG 10845

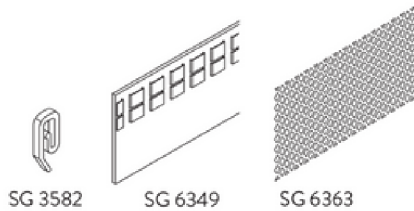
SG 10906

Optional components:

- SG 10845 Wave master carrier single stack 80 mm
- SG 10906 Wave glider cord 60 mm (no single stack)

Curtain components:

- SG 3582 Hook
- SG 6349 Wave curtain tape
- SG 6363 Wave top hemming tape
- SG 10075 Lead weight 50 gr/m
- SG 10076 Fabric weight



SG 3582

SG 6349

SG 6363



SG 10075

SG 10076

Silent Gliss Inc
PO Box 592
New York NY 10150

Info@silentglissamerica.com
www.silentglissamerica.com