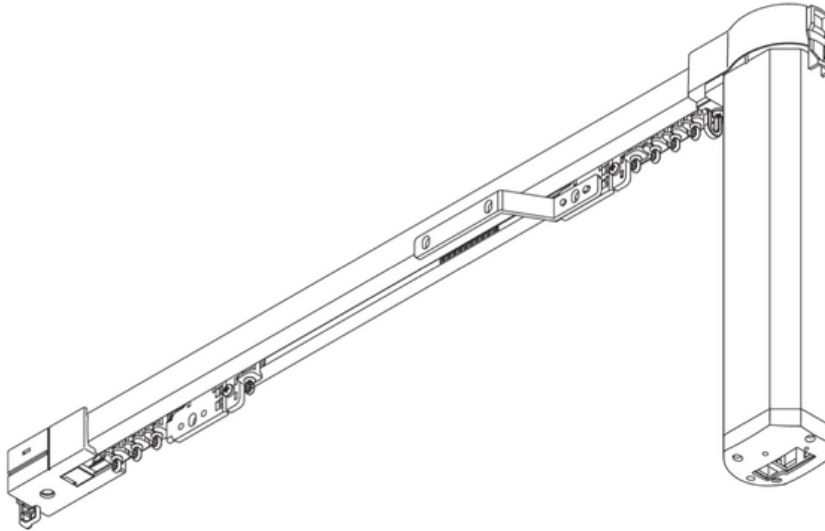
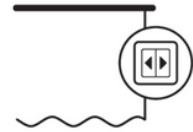


# SG 5100

---



## PRODUCT INFORMATION

- **Operation:** motorised
- **Range:** S - M
- **Fitting:** ceiling, wall
- **Colours:** white RAL 9016
- **Fabrics:** refer to Silent Gliss fabric collection

### **Features:**

- Wave
- Various control options
- Touch & Go
- Manual override
- Different motor versions
- Bendable

# SYSTEM SPECIFICATIONS

## A. SYSTEM DIMENSIONS



20 ft



55 lbs

### Max. curtain weights with rollers

	10 ft	19 ft
	44	55
	44	55
	44	35
	44	35
	33	28
	33	28
	26	22
	26	22

(lb max.)

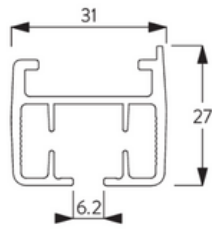
### Max. curtain weights with Wave gliders

	10 ft	19 ft
	44	44
	44	44
	39	30
	39	30
	26	22
	26	22
	22	19
	22	19

(lb max.)

## B. PROFILE

Profile and bending information

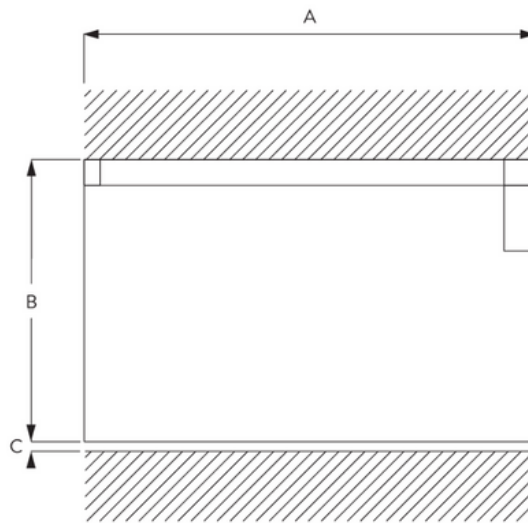


SG 10925

Profile

Radius:  
12 In

## C. HOW TO MEASURE



A: System width

B: System height

C: Distance between floor and fabric

# FITTING

## A. FITTING INFORMATION

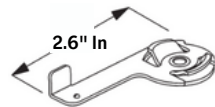
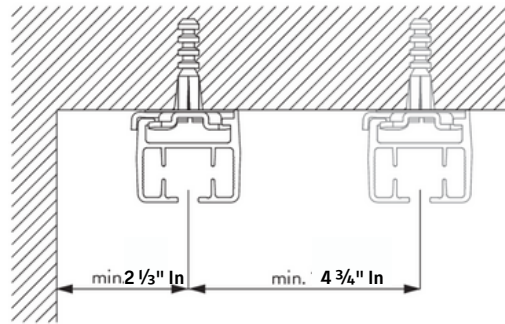
### Fixing points

For detailed fitting information, visit the Silent Gliss website.



## B. CEILING FITTING

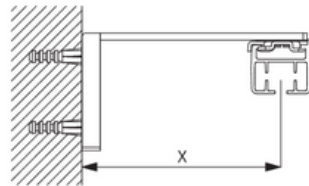
### Clamp SG 10926



**SG 10926**  
Clamp

## C. WALL FITTING

### Smart Fix



**Smart Fix SG 11201 - SG 11205 and clamp SG 10926:**  
Screw SG 11127 (M4x10) needed.



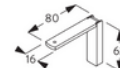
**SG 10926**  
Clamp



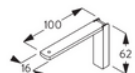
**SG 11127**  
Countersunk head screw  
M4x10



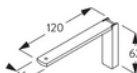
**SG 11158**  
Countersunk head screw  
M4x12



**SG 11201**  
Smart Fix 80 mm



**SG 11202**  
Smart Fix 100 mm



**SG 11203**  
Smart Fix 120 mm



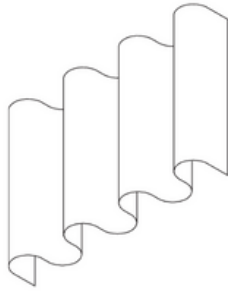
**SG 11204**  
Smart Fix 150 mm



**SG 11205**  
Smart Fix 200 mm

# SYSTEM OPTIONS

## A. WAVE



SG 6365



SG 10854



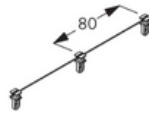
SG 10856



SG 10867



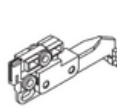
SG 10887



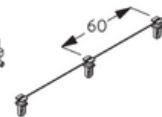
SG 10905



SG 10924



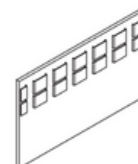
SG 10845



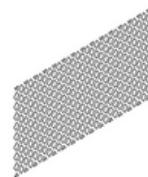
SG 10906



SG 3582



SG 6349



SG 6363



SG 10075



SG 10076

### Standard components:

- SG 6365 Wave hanger
- SG 10854 Wave overlap arm support
- SG 10856 Wave end stop, belt return
- SG 10867 Panhead screw
- SG 10887 Wave overlap arm set
- SG 10905 Wave glider cord 80 mm
- SG 10924 Wave glider support

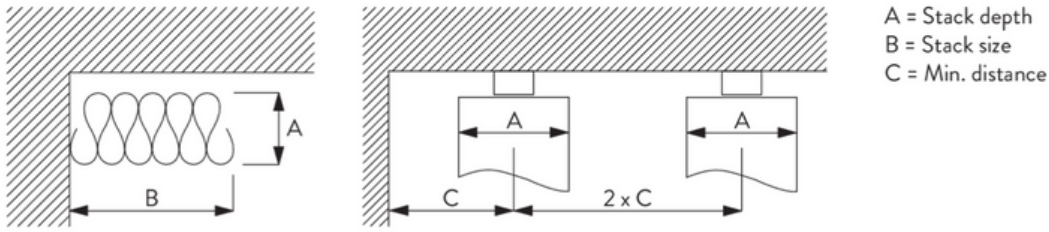
### Optional components:

- SG 10845 Wave master carrier single stack 80 mm
- SG 10906 Wave glider cord 60 mm (no single stack)

### Curtain components:

- SG 3582 Hook
- SG 6349 Wave curtain tape
- SG 6363 Wave top hemming tape
- SG 10075 Lead weight 50 gr/m
- SG 10076 Fabric weight

Wave stack depth - glider cord (standard components)



Glider cord SG 10905	Pockets between hooks	Approx. curtain fullness	Stack depth A	Stack size B*	Min distance C
80	6	~2.1	140	180 per metre of track	90
80	7	~2.3	160	180 per metre of track	100

Glider cord SG 10906	Pockets between hooks	Approx. curtain fullness	Stack depth A	Stack size B*	Min distance C
60	4	~2.1	100	230 per metre of track	70
60	5	~2.3	120	230 per metre of track	80

\*Stack size B plus 180 mm for each curtain stack!

# MOTORS & CONTROLS

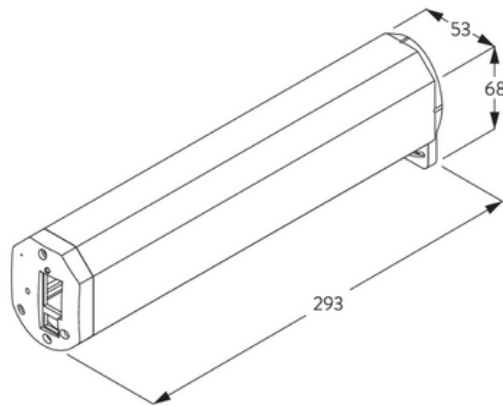
## A. MOTOR FEATURES

Motors	SG 5190	SG 5192	SG 5193
<b>Motor Features</b>			
Soft start / stop	•	•	•
Touch & Go	•	•	•
Manual Override	•	•	•
Built-in receiver	•	•	•
Electronic end-stop	•	•	•
Electronic revolution counter (unlimited revolution)	•	•	•
Parallel wiring possible without additional relays	•	•	•
Cable connectable with plug into motor		•	
IP class	IP 20	IP 20	IP 20
<b>Control Features</b>			
Mains power control			•
Dry contact control	•	•	
Dry contact and / or SG Control A	•	•	
SG Control A	•	•	
Suitable for all common home automation systems (with suitable interface)	•	•	•

**B. MOTOR SPECIFICATIONS**

Motors	Motor dimensions	Voltage	Current	Frequency	System speed / sec	Frequency receiver
SG 5190	L 293 x W 53 x D 68	100 - 240 V AC	0.8 - 0.4 A	50 / 60 Hz	15 cm / sec	433 MHz
SG 5192	L 293 x W 53 x D 68	24 V DC	3.5 A	n/a	15 cm / sec	433 MHz
SG 5193	L 293 x W 53 x D 68	100 - 240 V AC	0.8 - 0.4 A	50 / 60 Hz	15 cm / sec	n/a

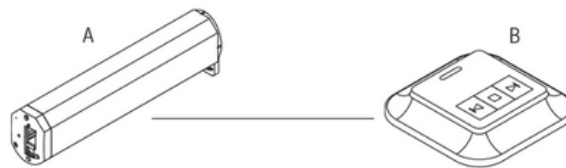
**C. MOTOR DIMENSIONS**



**D. OPERATING METHODS**

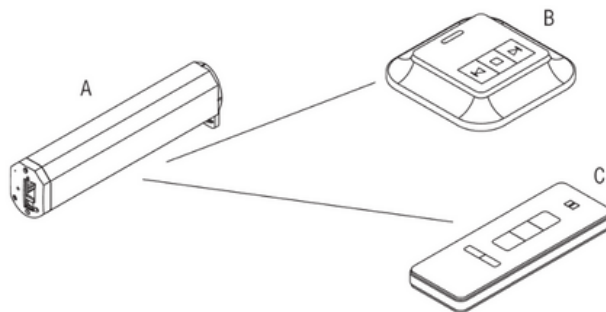
See catalogue "controls" for details.

**5100B - Base**



A: Motor SG 5190  
B: Wall Switch SG 10949

**5100R - Remote**



A: Motor SG 5190  
B: Wall Switch SG 10949  
C: Handset SG 10946



WIRING  
DIAGRAMS  
TECHNICAL EMAIL



**Silent Gliss Inc**  
**PO Box 592**  
**New York NY 10150**

**[Info@silentglissamerica.com](mailto:Info@silentglissamerica.com)**  
**[www.silentglissamerica.com](http://www.silentglissamerica.com)**