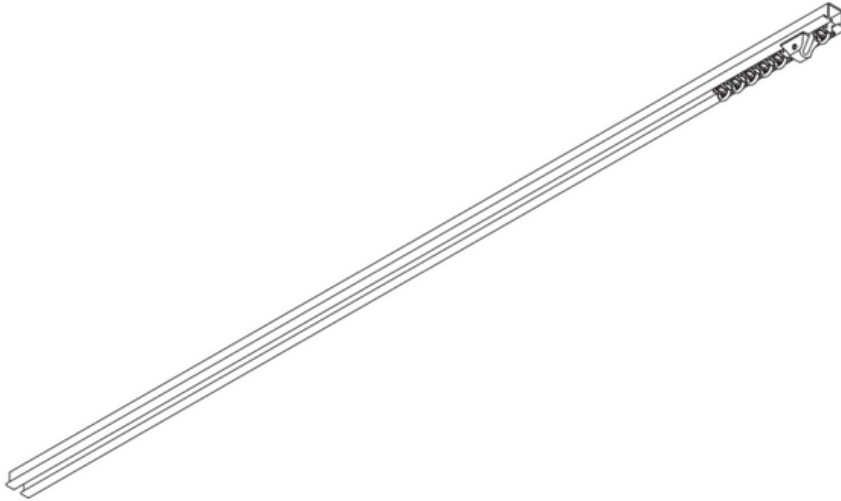
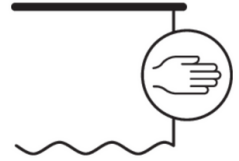


# SG 6243

---



## PRODUCT INFORMATION

- **Operation:** hand
- **Range:** S - M
- **Fitting:** recess
- **Colours:** white RAL 9016; special colours or anodised aluminum possible
- **Fabrics:** refer to Silent Gliss fabric collection

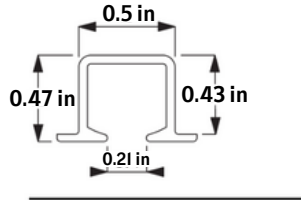
### **Features:**

- 2-component (2C) glider technology
- Wave (2C)
- Bendable
- Pre-drilled profile

# SYSTEM SPECIFICATIONS

## A. PROFILE

Profile and bending information

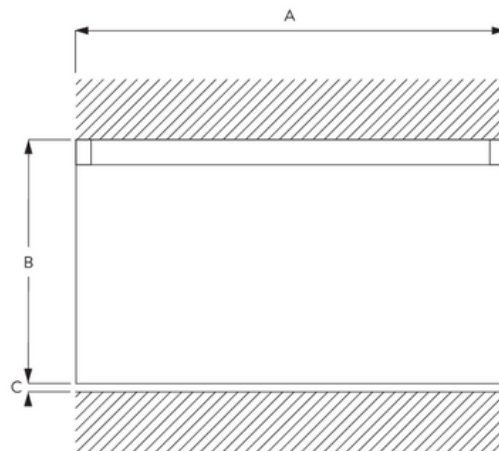


SG 6243p

Profile

Radius:  
8 in, >10 in

## B. HOW TO MEASURE



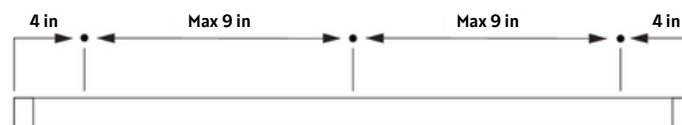
A: System width  
B: System height  
C: Distance between floor and fabric

# FITTING

## A. FITTING INFORMATION

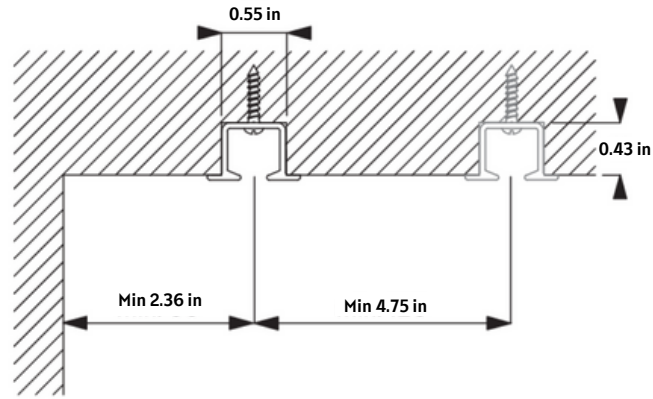
Fixing points

For detailed fitting information, visit the [Silent Gliss website](#).



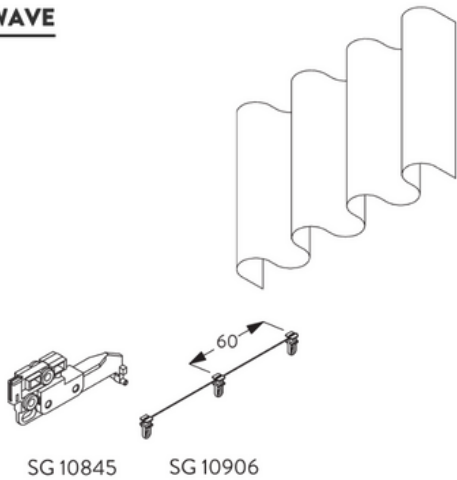
## B. RECESS FITTING

Direct into wood



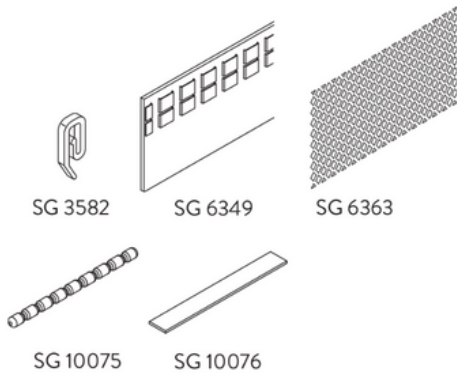
## SYSTEM OPTIONS

### A. WAVE



Optional components:

- SG 10845 Wave master carrier single stack 80 mm
- SG 10906 Wave glider cord 60 mm (no single stack)



Curtain components:

- SG 3582 Hook
- SG 6349 Wave curtain tape
- SG 6363 Wave top hemming tape
- SG 10075 Lead weight 50 gr/m
- SG 10076 Fabric weight

**Silent Gliss Inc**  
**PO Box 592**  
**New York NY 10150**

**[Info@silentglissamerica.com](mailto:Info@silentglissamerica.com)**  
**[www.silentglissamerica.com](http://www.silentglissamerica.com)**