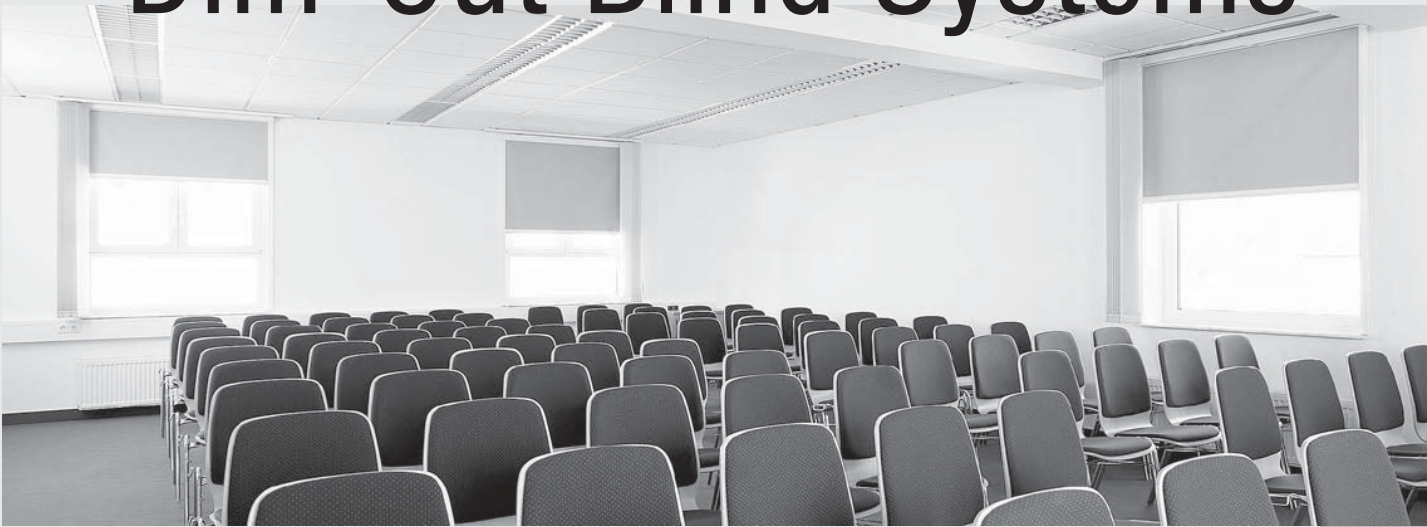
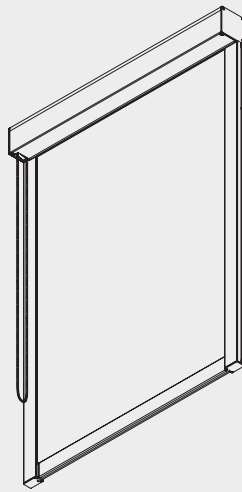


Dim-Out Blind Systems



Chain Operated Dim-Out Blind System

Silent Gliss® 4710 Small



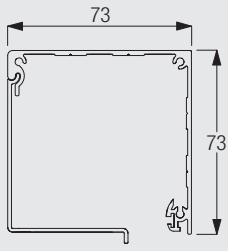
Product Information

- Technically advanced chain-operated dim-out blind system.
- For applications up to 1.6m wide, 1.6m high or 2.5m² with a maximum weight of 2kg.
- Easy click-in side profiles.
- Fabrics are 'zipped' into the side profiles.
- Inside or outside recess fitting.
- Supplied powder coated in black or white.
- Delivered ready-assembled, made-to-measure.
- Suitable for inclined positions up to 15° from vertical.
- Spring assisted when required (larger sizes).



4710

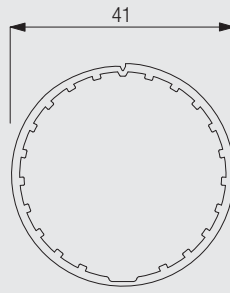
Profile and Bending Information



10994-5



Cannot be bent



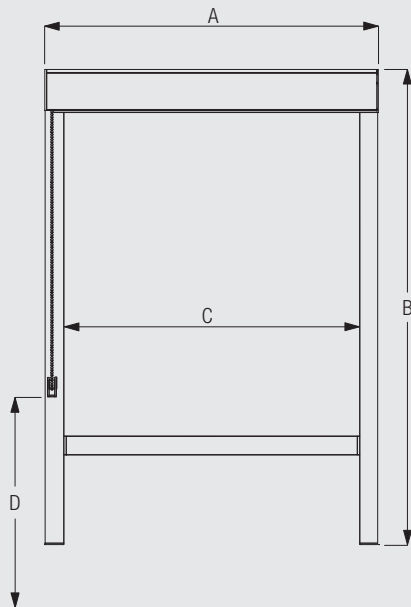
10532



Cannot be bent

How to Measure

Inside fitting

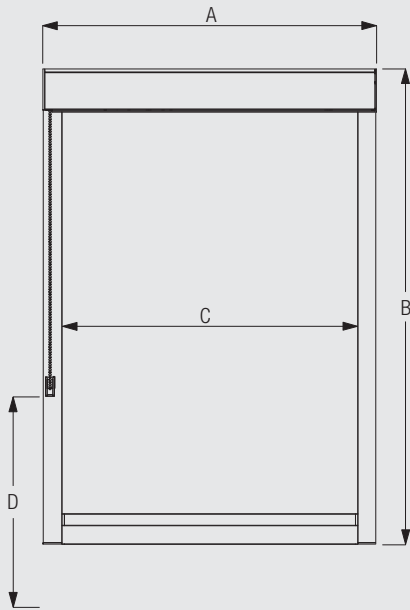


- A: System width
- B: System drop
- C: Fabric width
- D: Safety Retainer 10400 min. 150cm above floor



4710

Face fitting



- A: System width
- B: System drop
- C: Fabric width
- D: Safety Retainer 10400 min. 150 cm above floor

System Dimensions



1.6m



65cm



1.6m



2.5 m²



2kg

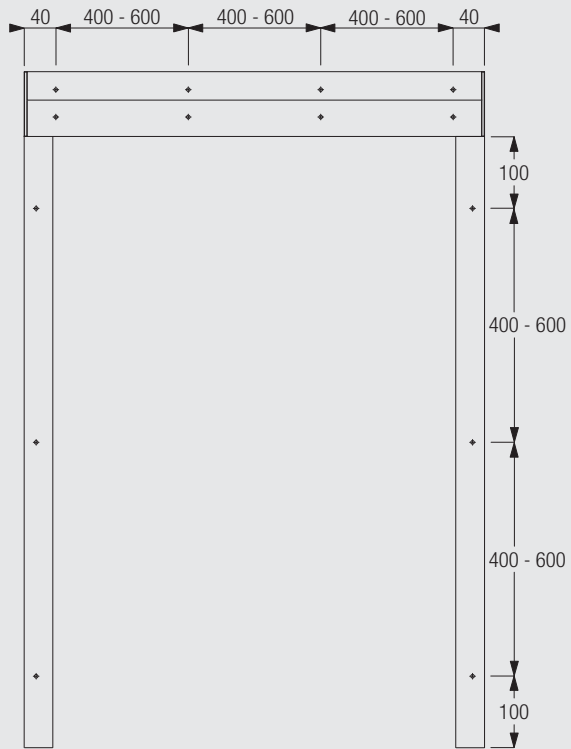
Please note: The max. system width/drop also depends on the fabric type.



4710

Fitting Information

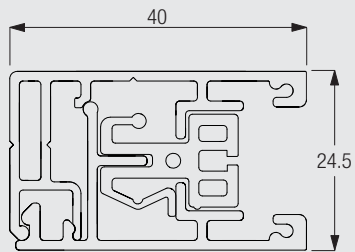
Positioning of drill holes



Side profiles 11001 and 11002



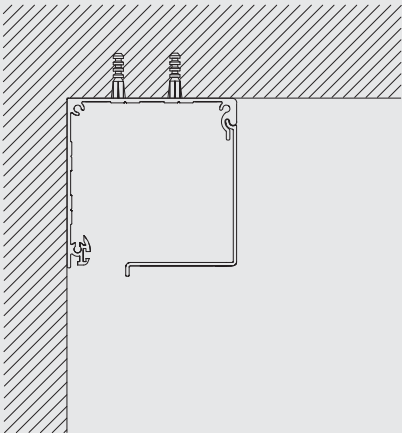
4710



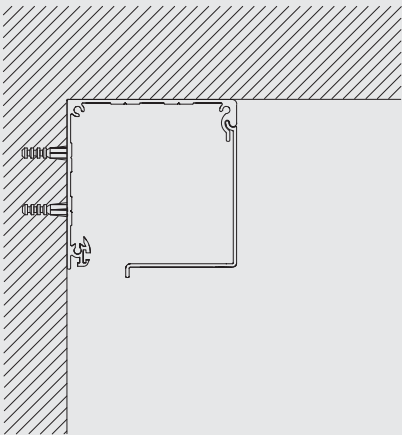
Profile drawing includes zip profile.

Fitting Options

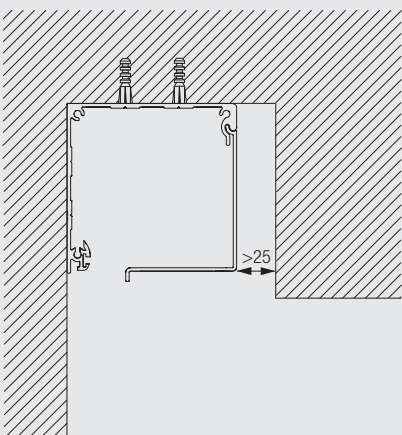
Ceiling fitting with direct mounting



Wall fitting with direct mounting



Recess fitting with direct mounting



4710



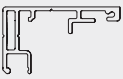
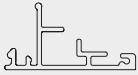



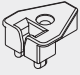
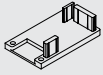
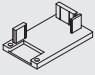
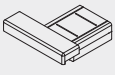
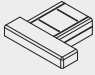

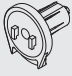


Standard Accessories

10400 Safety Cord Retainer



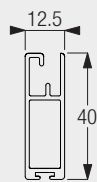
10532 Profile



10961	Zip profile		10993	Bottom weight	
11001	Side guide case		11002	Side guide cover	
11004	Side cover left for box, 73 mm		11010	Clip for chain drive	
11011	Clip for support		11024	Zip guide	
11026	Cover left for side guide		11027	Cover right for side guide	
11028	Bottom weight guide left		11029	Bottom weight guide right	
11030	Bottom weight cover		11031	Chain drive (S)	
11040	Stainless steel bead chain (ø 4.5 mm)		10994-5	Box case and cover, 73 mm	

Useful Measures

10993 Bottom weight



4710

Application Chart

Operation	Dimensions					Profile / Cassette			Features / Options			Fitting Options			Fitting Surfaces			System
	min.	max.	max.	m ² max.	kg max.	Cassette Size (mm)	Profile Number	Profile Diameter (ø mm)	Remote Control System Silent Gliss 9940	Silent Gliss Move applicable	Safety Retainer Set	Ceiling Fitting	Wall Fitting	Recess Fitting	Wood	Concrete	Suspended Ceiling	
	cm	1.6 m	1.6 m	2.5 m ²	2 kg	73	10532	ø41				●	●	●	●	●	●	4710
	cm	2.2 m	2.4 m	5.3 m ²	3.7 kg	90	11037	ø60				●	●	●	●	●	●	4730
	cm	3 m	3 m	9 m ²	6 kg	110	11003	ø80				●	●	●	●	●	●	4740
 230V / 120V	cm	1.6 m	1.6 m	2.5 m ²	2 kg	73	10532	ø41	●	●		●	●	●	●	●	●	4760
 230V / 120V	cm	2.2 m	2.4 m	5.3 m ²	3.7 kg	90	11037	ø60	●	●		●	●	●	●	●	●	4770
 230V / 120V	cm	3 m	3 m	9 m ²	6 kg	110	11003	ø80	●	●		●	●	●	●	●	●	4780



www.SilentGlissAmerica.com

Silent Gliss Inc
United States Distribution
755 East 134th street
3rd Floor.
Bronx, NY 10454

Correspondence:
P.O. Box 592
New York, Ny 10150

Please call or email
with any questions or for technical catalogs:
info@SilentGlissAmerica.com
Tel: 718-412-9040